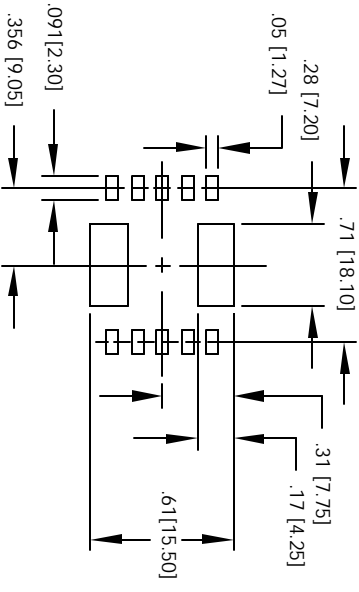
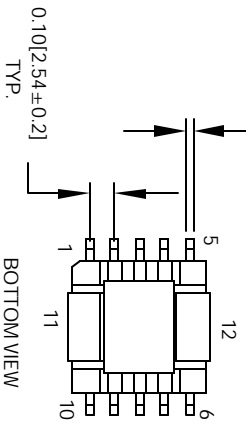
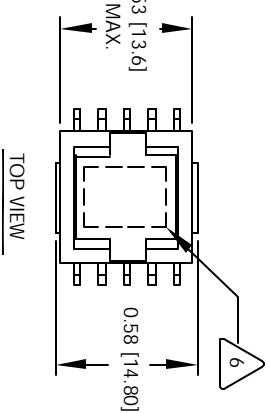
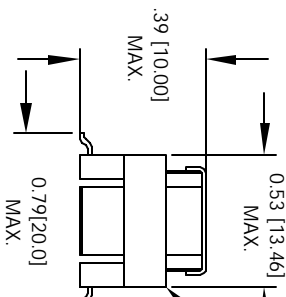
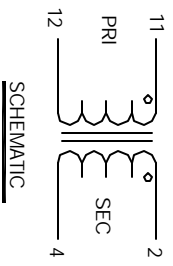


The information contained in this drawing is the sole property of CWS Coil Winding Specialist. Any reproduction in part or whole without written permission of CWS Coil Winding Specialist is prohibited.

REVISION HISTORY			
REV	ECN	DESCRIPTION	DATE
A		PRODUCTION RELEASE	5/24/04

SIGN & DATE		
DR	DATE	CHK
RRR	5/24/04	JLU
		DATE
		5/24/04



- WHERE SHOWN
- MARK PART NUMBER AND REVISION
- REMOVE INSULATION, SOLDERED TO LEADS
- CONSTRUCTION: ENCAPSULATED USING BOBBIN.
- FREQUENCY RANGE 50 KHZ TO 100 KHZ
OPERATING TEMP: - 25 °C TO 125 °C
HI-POT PRIMARY TO SECONDARY = 500 Vrms
PRIMARY CURRENT = 35 AMAX.
SECONDARY DCR = 0.57 OHMS MAX
SECONDARY INDUCTANCE @ 10 KHZ, 0.1 V = 1.40 mH MIN
TURNS RATIO PRI:SEC = 1:50
- SPECIFICATIONS @ 25 °C
- WIRE: UL RECOGNIZED 130 °C RATED MAGNET WIRE
CWS BYTEMARK OR OTHER APPROVED PART
CORE: FERRITE TOROID
- BOBBIN RATING CLASS B (130 °C) REQUIRED
MATERIAL: UL RECOGNIZED 94V-0 FOR FLAMMABILITY

NOTES: UNLESS OTHERWISE SPECIFIED, CURRENT SENSOR.
UNIT: INCHES [MM]

UNLESS OTHERWISE SPECIFIED
DIMENSIONS ARE IN INCHES TOLERANCE PER ANSI Y14.5M AND (UNLESS NOTED)
TOLERANCE NOTES: UNLESS NOTED TOLERANCE METRICS X.XXX = ±.01 X X.XX = ±.01 X X.X = ±.03 X X = ±.075 X X = ±.15 X X = ±.30 X X = ±.60 X X = ±.125 X X = ±.25 X X = ±.50 X X = ±.1 X X = ±.2 X X = ±.5 X X = ±.1 X X = ±.2 X X = ±.5 X X = ±.1 X X = ±.2 X X = ±.5 X X = ±.1 X X = ±.2 X X = ±.5 X
DO NOT SCALE DRAWING

QTY	CODE	IDENT	MFG. P/N	DESCRIPTION	ITEM NO.
	RRR	JLU	5/23/04	Current Sense Transformer	A

AUTOCAD	SOLIDWORKS	DATE	TITLE
X		5/23/04	Current Sense Transformer

DATE	SCALE	SHEET	OF
5/23/04	2=1	1	1